



OUR CUSTOMERS ASKED FOR IT – AND WE DELIVERED  
Cable-Lok™ for Tenders and Spreaders



## Designed to Endure Corrosive Product

A009BD-0111

From seed to blended fertilizer to micronutrients, Cable-Lok™ provides waterproof protection, for when it's crucial that loads stay dry. Its stainless steel and powder-coated components are designed to stand up to the most corrosive environments.

All of that stainless steel and powder coating comes standard, adding durability and lasting performance by helping to reduce the corrosion problems that go hand in hand with hauling fertilizer. An ideal upgrade is our flexible easy-off tarp stop. It's corrosion resistant as well, with just the right amount of give, even in subzero temperatures.

**Key Features:** No-Weld Install, Stainless Bows, Stainless End Caps, Powder-Coated Easy-Off Tarp Stops, Stainless Crank Arm with Reinforced Flexible Hose Assembly, Stainless J-Hook Retainer with 7" Standoff, 1" Ridge Strap, Aluminum Roll Tube with Channeled Tarp Attachment, Galvanized Fixed Tube, Spool with Stainless Cables and Ratchets, Adjustable Tension, 18-Oz. Vinyl Tarp.

*For more information, contact:*

**SHUR-CO® OF SD | 800.474.8756**  
2309 Shur-Lok St., Yankton

**SHUR-CO® OF ND | 877.868.4488**  
920 38th St. NW, Exit 66, Fargo

**SHUR-CO® OF IA | 866.356.0245**  
3839 Midway Blvd., Ft. Dodge

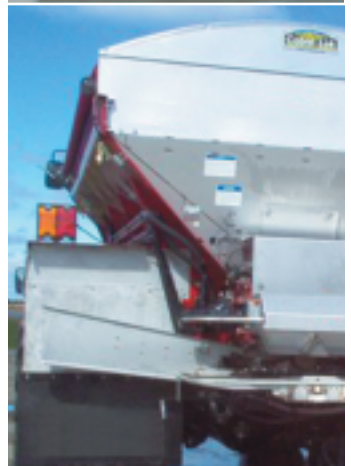
**SHUR-CO® OF IL | 866.356.0246**  
4350 E. Boyd Rd., Decatur

**SHUR-CO® OF OH | 866.356.0242**  
1100 N. Freedom, State Rt. 88 & 14, Ravenna

**SHUR-CO® OF CO | 866.355.9173**  
10220 Brighton Rd., Unit #1, Henderson

**SHUR-CO® OF TX | 866.689.0039**  
34505 I-10 West, S. Frontage Rd., Brookshire

**SHUR-CO® OF OK | 866.356.0243**  
1604 East, U.S. Hwy 66, El Reno



[www.shurco.com](http://www.shurco.com)

# Box Details

PROVIDE ALL REQUESTED INFORMATION OR YOUR ORDER MAY BE DELAYED. **DO NOT** USE UNIVERSAL BOX SIZES. **ALWAYS** USE ACTUAL MEASUREMENTS.

## CONTACT INFORMATION

NAME \_\_\_\_\_  
 ADDRESS \_\_\_\_\_  
 CITY \_\_\_\_\_ STATE \_\_\_\_\_ ZIP \_\_\_\_\_  
 PHONE \_\_\_\_\_ FAX \_\_\_\_\_  
 BOX/TRAILER MAKE \_\_\_\_\_  
 MODEL \_\_\_\_\_ YEAR \_\_\_\_\_

## BOX DIMENSIONS

A \_\_\_\_\_ UPPER BOX LENGTH  
 B \_\_\_\_\_ UPPER BOX WIDTH  
 N \_\_\_\_\_ TOP RAIL WIDTH  
 U \_\_\_\_\_ INSIDE BOX WIDTH  
 X \_\_\_\_\_ OUTSIDE BOX HEIGHT FROM GROUND

LIP IN       LIP OUT

### IF SPREADER:

GRANULAR BIN:     INSIDE BOX     OUTSIDE BOX  
 SPREADER STYLE:  SELF-PROPELLED     AIR SYSTEM  
                            SPINNER         PULL-TYPE SPINNER

### IF TENDER:

MOUNTING STYLE:  TRUCK       TENDER  
 SPREADER STYLE:  REAR         SIDE-FOLD REAR  
                            REAR OVER BOX

TARP COLOR(S) \_\_\_\_\_

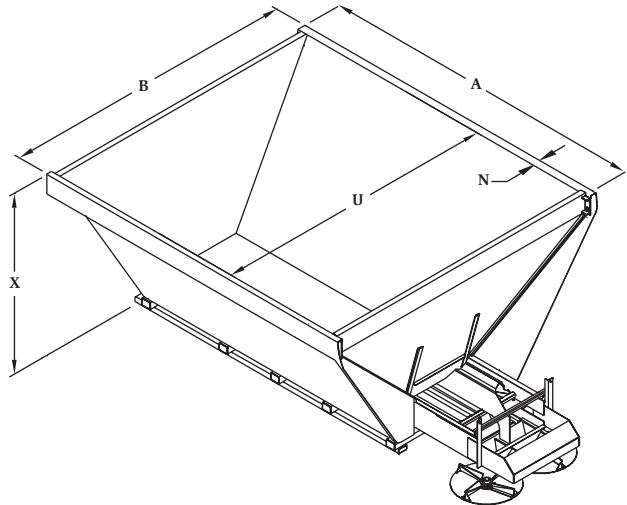


FIGURE 1

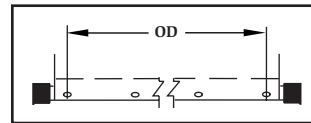
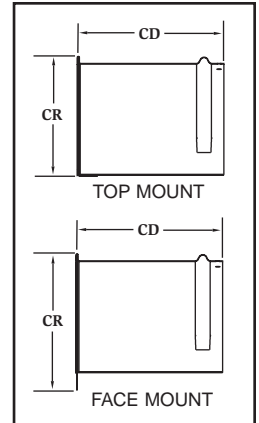


FIGURE 2



## REPLACEMENT TARPS

TYPE OF TARP BEING REPLACED | See Figure 1 for Outer Hole Distance

CABLE-LOK™ W/CHANNEL  
 OTHER W/CHANNEL    OTHER BRAND \_\_\_\_\_  
 OTHER W/RIVETS    No. Rivets \_\_\_\_\_ Outer Hole Distance \_\_\_\_\_

\_\_\_\_\_ FINISHED SEWN TARP LENGTH

\_\_\_\_\_ FINISHED SEWN TARP WIDTH

TYPE OF CAP MEASURED | See Figure 2

STAINLESS FACE MOUNT     STAINLESS TOP MOUNT  
 GALVANIZED FACE MOUNT     GALVANIZED TOP MOUNT

CR \_\_\_\_\_ END CAP RISE

CD \_\_\_\_\_ END CAP DEPTH    Front \_\_\_\_\_ Rear \_\_\_\_\_

\_\_\_\_\_ OUTSIDE END CAP TO END CAP LENGTH

\_\_\_\_\_ BOX WIDTH

\_\_\_\_\_ BOX LENGTH