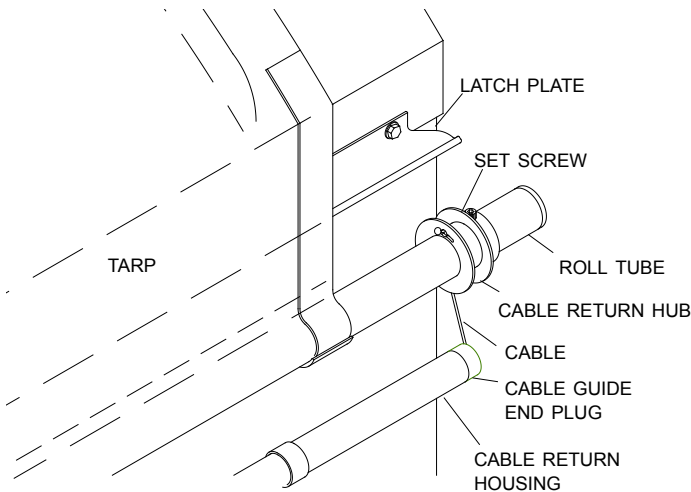


Item	Part #	Description
	1111435	Spring Housing Assembly
1	1110401	Spring Housing
2	1701420	Cap Screw - 5/16 x 2"
3	1700419	Nylon Lock Nut - 5/16"
4	1702587	End Plug - 1 1/2"
5	1110402	Spring Tray
6	1110375	Replacement Cable Assembly
7	1702585	Extension Spring - 38"
8	1702586	End Plug - 1 1/2"
9	1110411	Cable Return Hub

STEP 1: Roll tarp down from under latch plate.



STEP 2: Loosen set screws on cable return hub to release tension on cable.



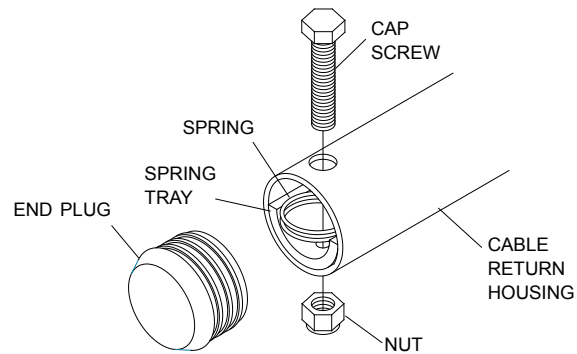
CAUTION

Cable is under tension. Hold cable return hub in place while loosening set screws.

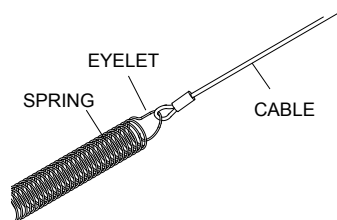
STEP 3: Remove cable from cable return hub.

STEP 4: Remove end plugs from both ends of cable return housing.

STEP 5: Remove cap screw and nut from cable return housing, then slide spring, spring tray, and cable out of housing.



STEP 6: Attach eyelet on end of cable to end of spring. Feed new cable into cable return housing.

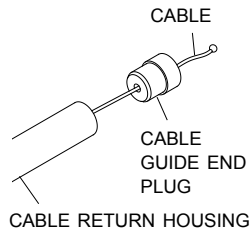


NOTE: Apply tape around cable eyelet and end of spring to secure cable to spring during installation.

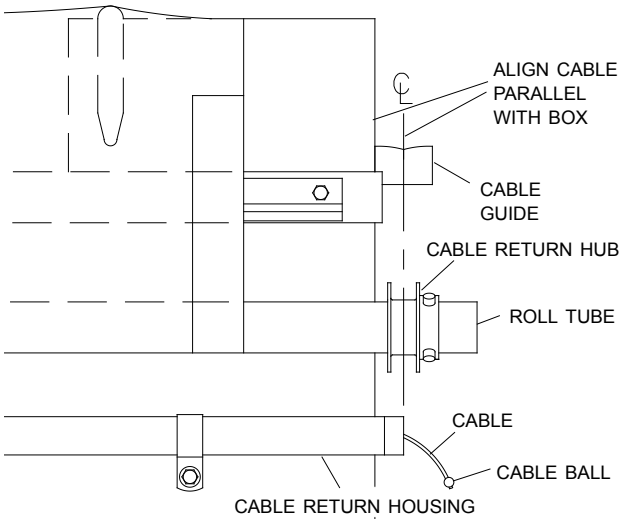
STEP 7: Keep tension on cable while feeding spring and spring tray into cable return housing. Align end of spring and hole in spring tray with hole in housing.

STEP 8: Re-install cap screw, nut and end plug.

STEP 9: Thread cable through cable guide end plug, then re-install plug into cable return housing.

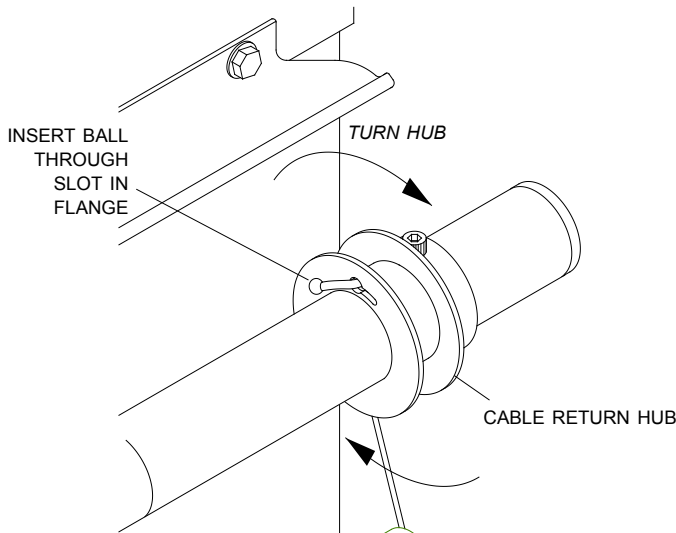


STEP 10: Align cable parallel to back of box.

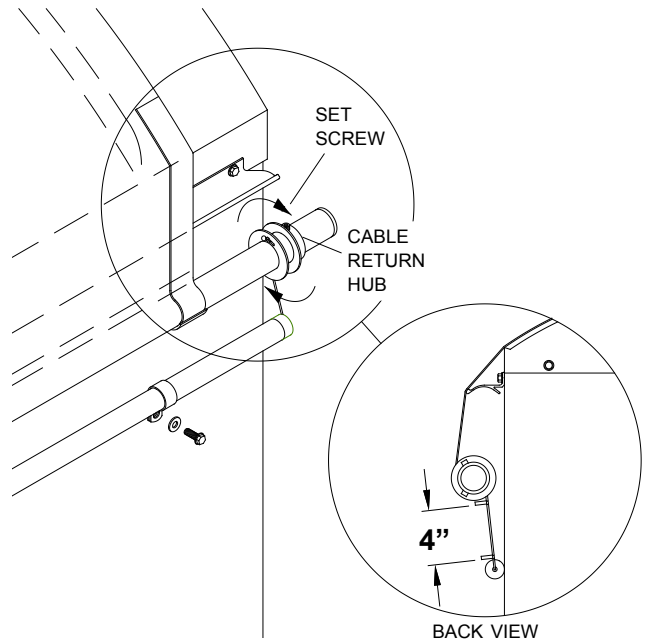


NOTE: Cable coming off cable return hub must align with center of cable guide so cable runs parallel to truck.

STEP 11: Slide ball on end of cable through slot in flange on cable return hub. Wrap cable around hub by turning hub in direction shown below, pulling cable tight.



STEP 12: Mark cable with tape at top of cable return housing where cable exits. Turn cable return hub, wrapping four more inches of cable around hub, to add tension to cable. Tighten both set screws.



STEP 13: Adjust alignment of cable return hub and cable guide, if necessary. Loosen set screws on cable return hub, and adjust position of hub, while keeping cable under tension.

