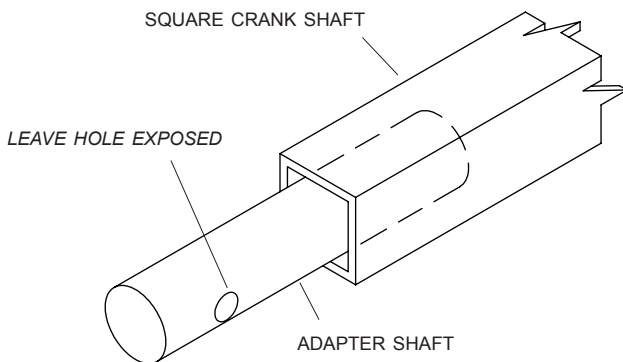


Item	Part #	Description
	1118339	Hopper Parts Kit - Cornhusker
1.	1118308	Adapter Shaft - Cornhusker

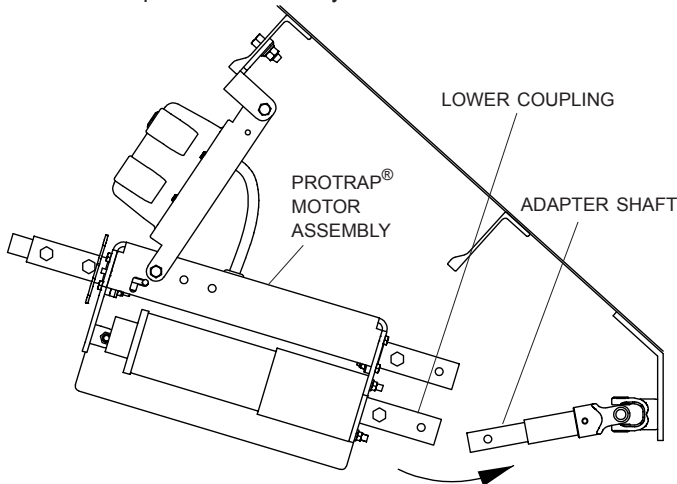
STEP 1: Follow instructions in ProTrap® Owner's Manual to determine crank shaft length.

STEP 2: After cutting square crank shaft to length, insert adapter shaft 2" into crank shaft, leaving drilled hole exposed as shown.

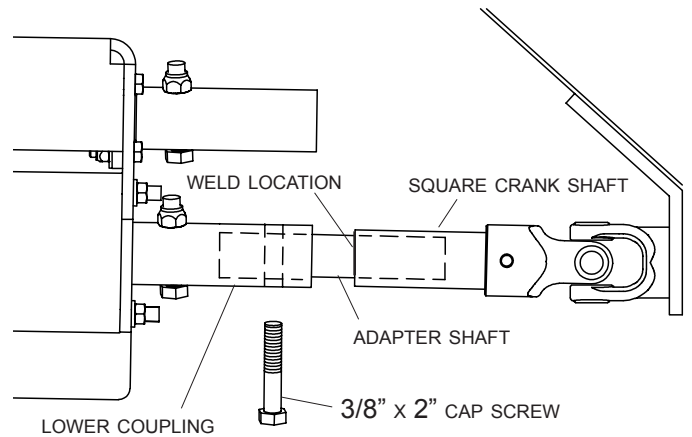


STEP 3: Continue following instructions in ProTrap® Owner's Manual until intermediate bracket is fastened to hinge bracket.

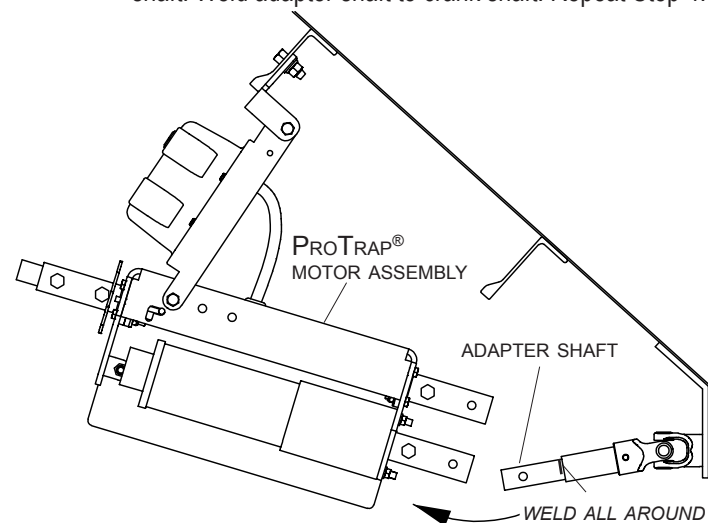
STEP 4: Insert end of adapter shaft into lower coupling on ProTrap® motor assembly.



STEP 5: Align holes and insert cap screw. Mark weld location on adapter shaft as shown.



STEP 6: Remove cap screw and disengage ProTrap® motor assembly. Align mark on adapter shaft with end of crank shaft. Weld adapter shaft to crank shaft. Repeat Step 4.



STEP 7: Align holes and fasten as shown in manual.

