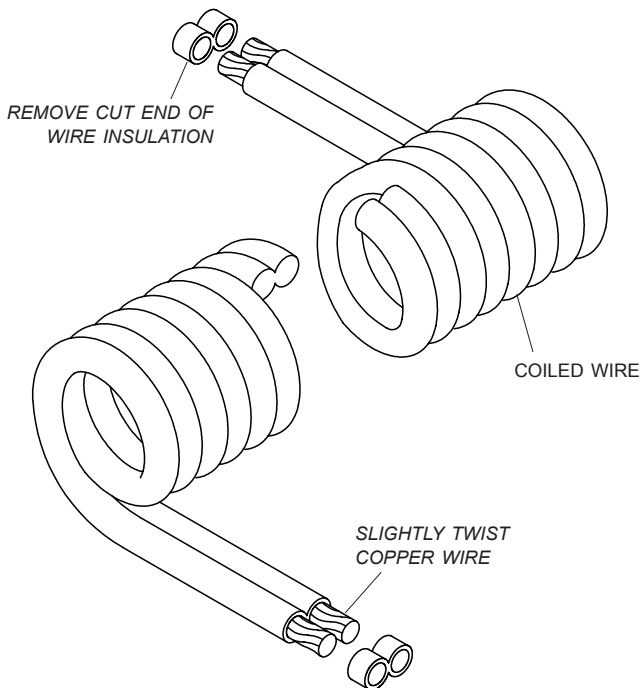


Item	Part #	Description
	1119555	Coiled Wire w/Dual Conductor Plugs Kit
1.	1704654	Coiled Wire - 6 Ga. x 15'
2.	1115385	Dual Conductor Plug

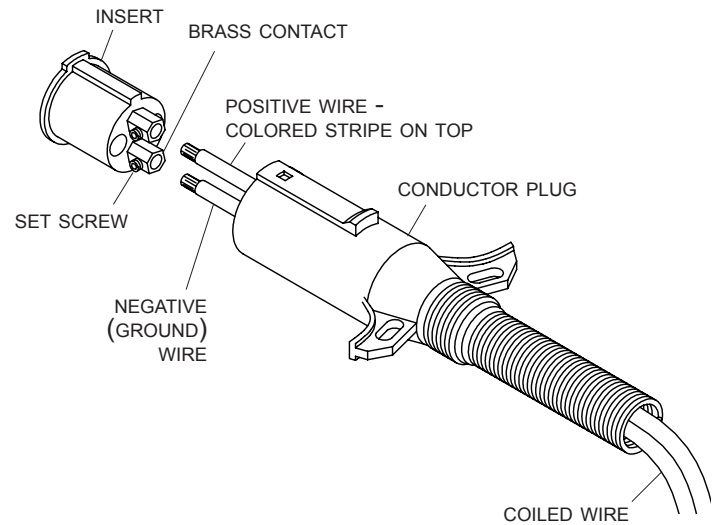
**WIRE ENDS**

**STEP 1:** Remove cut ends of wire insulation and slightly twist copper wires on both ends of coiled wire.



**CONDUCTOR PLUG**

**STEP 2:** Feed coiled wire through plug and into brass contacts on insert, aligning positive wire (colored stripe) on top. Tighten set screws to secure wires. Replace insert into conductor plug and secure screw.



**STEP 3:** Repeat step 2 to install second conductor plug on other end of wire.