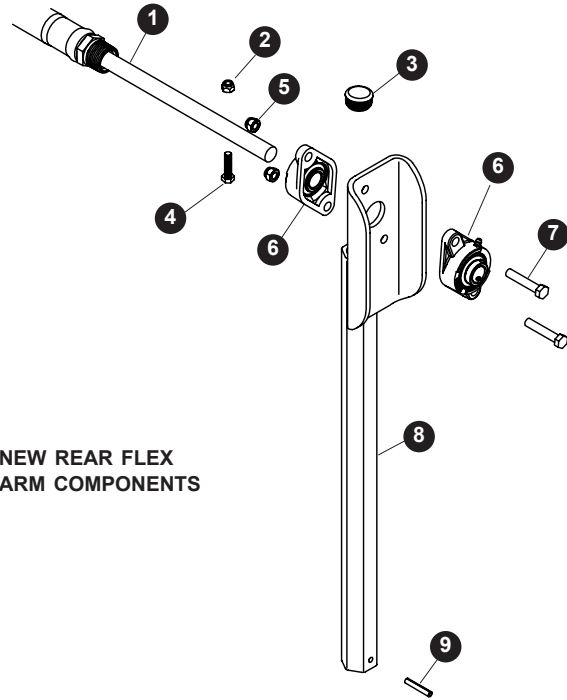


EXISTING REAR FLEX ARM COMPONENTS



NEW REAR FLEX ARM COMPONENTS

Item	Part #	Description
1.	1116990	Gate Flex™
2.	1700419	Nylon Lock Nut - 5/16"
3.	1703881	Cap Plug - 1 1/4" x 14-16 Ga.
4.	1703487	Cap Screw - 5/16" x 1 1/2"
5.	1700381	Cap Screw - 1/4" x 1"
6.	1703886	Bearing Flush Mount - 3/4" x 1.703"
7.	1701543	Nylon Lock Nut - 1/4"
8.	1116992	Upper Flex Arm - Gate Flex™
9.	1700445	Spring Pin - 1/4" x 1 1/2"

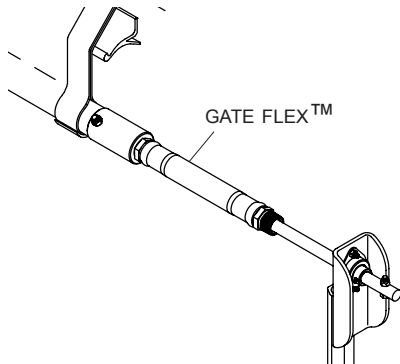
Item	Part #	Description
1.	1116990	Gate Flex™
2.	1700419	Nylon Lock Nut - 5/16"
3.	1703881	Cap Plug - 1 1/4" x 14-16 Ga.
4.	1703487	Cap Screw - 5/16" x 1 1/2"
5.	1701580	Nylon Lock Nut - 3/8"
6.	1704703	Flange Bearing - 20mm - 2 Bolt
7.	1704264	Cap Screw - 3/8" x 2"
8.	1116992	Upper Flex Arm - Gate Flex™
9.	1700445	Spring Pin - 1/4" x 1 1/2"

**STEP 1:** Roll tarp closed and let roll tube hang loosely below latch plate.

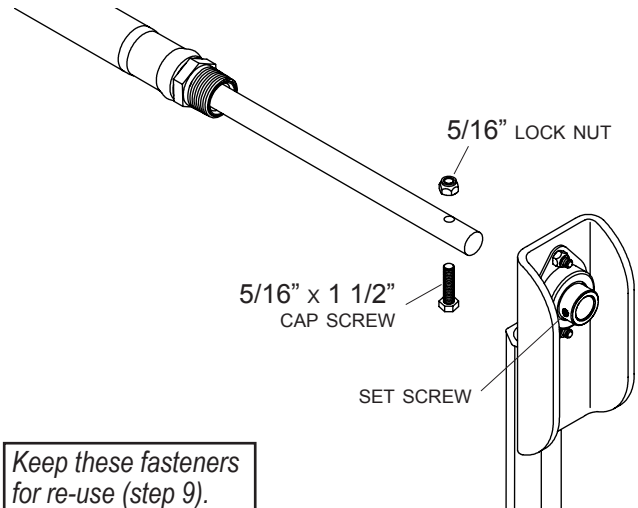


## WARNING

Flex arms are under tension while torsion springs are engaged. Use caution while assembling and disassembling arms. Failure to read and follow instructions could result in serious injury or death.

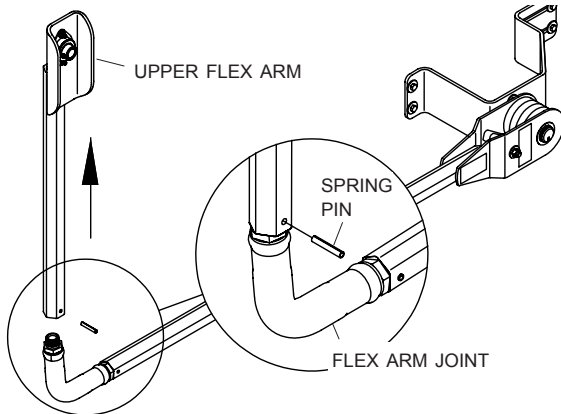


**STEP 2:** At rear of trailer, remove 5/16" x 1 1/2" cap screw and lock nut from Gate Flex™ bearing shaft. Loosen set screws in bearing, then carefully remove flex arm from bearing shaft.

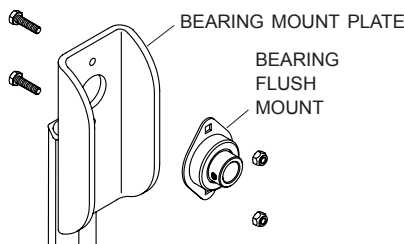


Keep these fasteners for re-use (step 9).

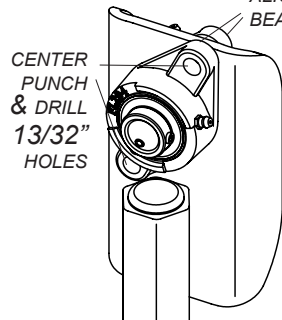
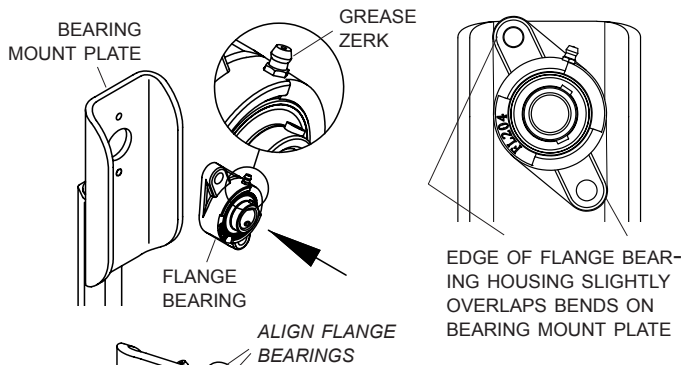
**STEP 3:** Remove 1/4" x 1 1/2" spring pin from upper flex arm. Remove upper flex arm from flex arm joint.



**STEP 4:** Unfasten and remove existing bearing flush mount from bearing mount plate on upper flex arm.

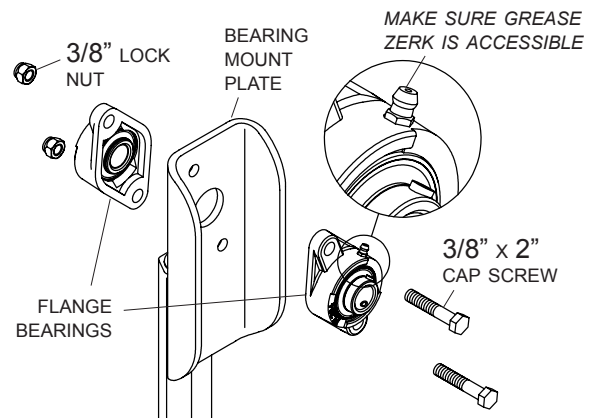


**STEP 5A:** Place new flange bearing inside bearing mount plate and rotate to fit, orienting grease zerk up for accessibility. Using flange bearing as a guide, mark hole locations.

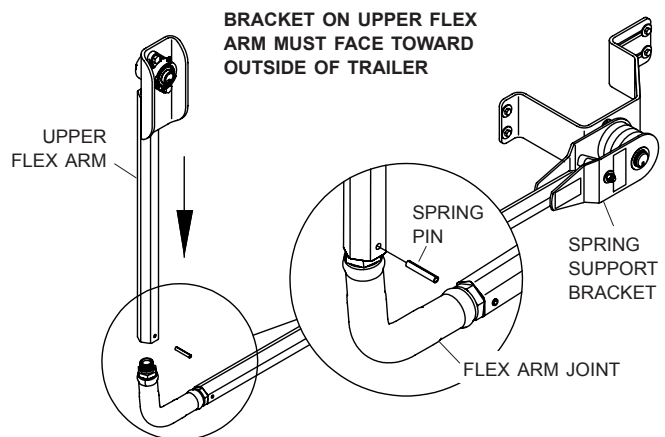


**STEP 5B:** Hold second flange bearing on back of bearing mount plate, align with first flange bearing and make sure bearing clears upper flex arm tubing. Center punch and drill 13/32" holes.

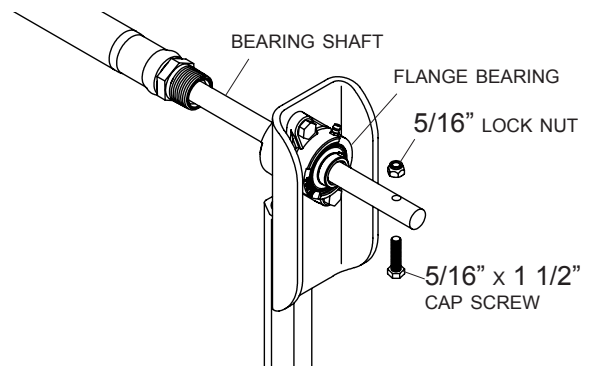
**STEP 7:** Fasten flange bearings to bearing mount plate with 3/8" x 2" cap screws and lock nuts.



**STEP 8:** Replace upper flex arm assembly. Tighten threads, aligning bearing mount plate on upper flex arm parallel to spring support bracket on lower flex arm as shown. Install 1/4" x 1 1/2" spring pin.



**STEP 9:** Slide bearing shaft on Gate Flex™ through flange bearings on upper flex arm. Refasten 5/16" x 1 1/2" cap screw through hole in Gate Flex™ and secure with lock nut.



**NOTE:** Do not leave unattended until flex arm is securely fastened to roll tube extension as shown.