

# BOX DETAIL SHEET FOR END DUMPS

## CONTACT INFORMATION

NAME \_\_\_\_\_  
 ADDRESS \_\_\_\_\_  
 CITY \_\_\_\_\_ STATE \_\_\_\_\_ ZIP \_\_\_\_\_  
 PHONE \_\_\_\_\_ FAX \_\_\_\_\_  
 BOX/TRAILER MAKE \_\_\_\_\_

PROVIDE ALL REQUESTED INFORMATION OR YOUR ORDER MAY BE DELAYED.  
**DO NOT** USE UNIVERSAL BOX SIZES. **ALWAYS** USE ACTUAL MEASUREMENTS.

G03BD-0410

## BOX DIMENSIONS

**A** \_\_\_\_\_ UPPER BOX LENGTH  
**B** \_\_\_\_\_ UPPER BOX WIDTH  
                     Front \_\_\_\_\_ Center \_\_\_\_\_ Rear \_\_\_\_\_  
**N** \_\_\_\_\_ TOP RAIL WIDTH  
**U** \_\_\_\_\_ INSIDE BOX WIDTH  
**X** \_\_\_\_\_ BOX HEIGHT

CORNER CONFIGURATION | *Must select one — see Figure 1*

- SQUARE     DIAGONAL     RADIUS/NO RECESS  
 SQUARE RECESS     DIAGONAL RECESS

**C** \_\_\_\_\_ OUTSIDE CORNER RADIUS | *For all radius fronts*  
**D** \_\_\_\_\_ RECESSED WIDTH    **E** \_\_\_\_\_ FLAT ACROSS FRONT  
**F** \_\_\_\_\_ FRONT-CORNER POST    **G** \_\_\_\_\_ GUSSET LENGTH  
**V** \_\_\_\_\_ FLAT ACROSS DIAGONAL    **W** \_\_\_\_\_ DIAGONAL DEPTH

TARP RAIL STYLE | *See Figure 2*

- SQUARE     SELF CLEANING     SQUARE W/PLANKS\*

\*Are planks flush with outside of top rail? Y / N (*Circle one.*)

TARP RAIL DROP | *See Figure 3*

- FRONT     REAR

**L** \_\_\_\_\_ BULKHEAD DEPTH    **O1** \_\_\_\_\_ FRONT TOP RAIL DROP  
**M** \_\_\_\_\_ THRESHOLD DEPTH    **O2** \_\_\_\_\_ REAR TOP RAIL DROP

FRONT END STYLE | *See Figure 4*

- RAISED FRONT SHIELD     RAISED SHIELD/FLAT TOP RAIL  
 SLANT W/CURVED RAISED FRONT     SLANT W/SQUARE RAISED FRONT  
 SQUARE TUB W/INVERTED RAM

**AD** \_\_\_\_\_ CYLINDER HEIGHT    **J** \_\_\_\_\_ UPPER SHIELD WIDTH  
**AE** \_\_\_\_\_ DOGHOUSE DEPTH    **J1** \_\_\_\_\_ DOGHOUSE WIDTH  
**H** \_\_\_\_\_ SHIELD HEIGHT    **J** \_\_\_\_\_ LOWER SHIELD WIDTH

REAR DUMP STYLE | *See Figure 5*

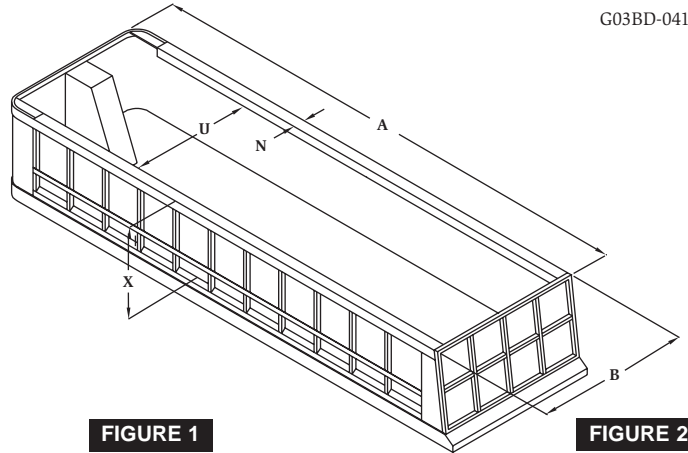
- OVERSLUNG HINGE GATE     COMBO DOOR HINGE GATE  
 HIGH POWER LIFT GATE     RAISED HINGE GATE

**AF** \_\_\_\_\_ HINGE DEPTH    **AK** \_\_\_\_\_ HINGE HEIGHT  
**B** \_\_\_\_\_ BOX WIDTH/REAR

TARP WEIGHT

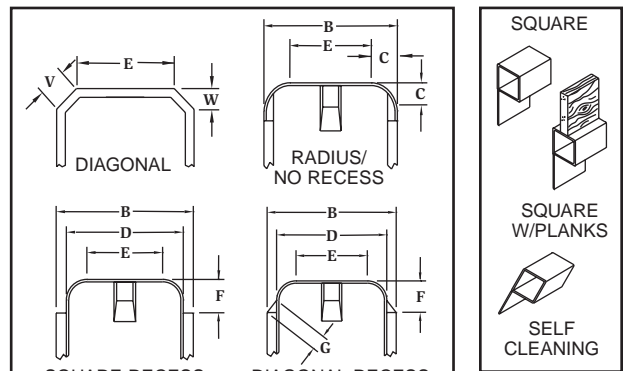
- 18-OZ.     22-OZ.

TARP COLOR(S) \_\_\_\_\_

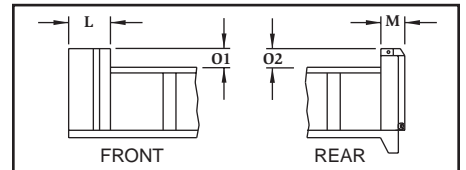


**FIGURE 1**

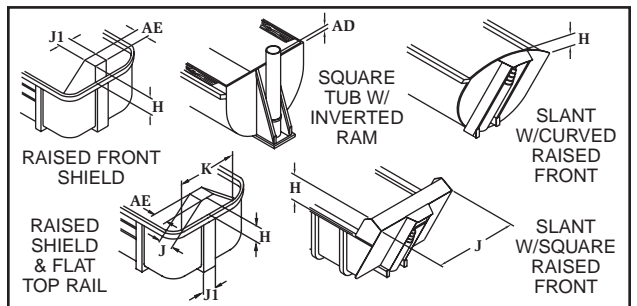
**FIGURE 2**



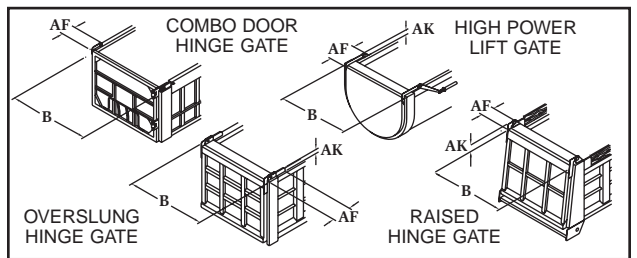
**FIGURE 3**



**FIGURE 4**



**FIGURE 5**



fax 605.665.0501

Salesperson \_\_\_\_\_