

BOX DETAIL SHEET FOR CABLE-LOK™ FOR GRAIN CARTS

ALL TARPS ARE CUSTOM-MADE TO ORDER AND ARE NON-RETURNABLE. ACCURATE PHYSICAL MEASUREMENTS ARE ESSENTIAL FOR PROPER TARP FIT. PROVIDE ALL REQUESTED INFORMATION OR YOUR ORDER MAY BE DELAYED. DO NOT USE UNIVERSAL BOX SIZES. ALWAYS USE ACTUAL MEASUREMENTS. BOX SIZE AND FINISHED TARP SIZE ARE NOT THE SAME.

CONTACT INFORMATION

NAME _____
 ADDRESS _____
 CITY _____ STATE _____ ZIP _____
 PHONE _____ FAX _____
 BOX/TRAILER MAKE _____
 MODEL _____ YEAR _____

BOX DIMENSIONS

A _____ UPPER OUTSIDE BOX LENGTH
 B _____ UPPER OUTSIDE BOX WIDTH
 Front _____ Center _____ Rear _____
 N _____ TOP RAIL WIDTH
 U _____ INSIDE BOX WIDTH
 X _____ OUTSIDE BOX HEIGHT FROM GROUND

LIP IN LIP OUT

FRONT CONFIGURATION | *Must answer this*

VERTICAL SLOPED

BOX EXTENSION STYLE | *See Figure 1*

FLAT SLANTED FLAT W/ANGLE
 SLANTED W/ANGLE SLANTED W/OVERHANG
 SLANTED W/OVERHANG AND ANGLE

BOX EXTENSION DIMENSIONS

B4 _____ EXTENSION WIDTH
 X1 _____ EXTENSION HEIGHT DRIVER'S SIDE
 X2 _____ EXTENSION HEIGHT PASSENGER SIDE
 X3 _____ LOWER EXTENSION ANGLE

TARP COLOR(S) _____

REPLACEMENT TARPS

TYPE OF TARP BEING REPLACED | *See Figure 2 for Outer Hole Distance*

CABLE-LOK® W/CHANNEL
 OTHER W/CHANNEL OTHER BRAND _____
 OTHER W/RIVETS No. Rivets _____ Outer Hole Distance _____

_____ FINISHED SEWN TARP LENGTH
 _____ FINISHED SEWN TARP WIDTH

TYPE OF CAP MEASURED | *See Figure 3*

FACE MOUNT TOP MOUNT

CR _____ END CAP RISE
 CD _____ END CAP DEPTH Front _____ Rear _____

_____ OUTSIDE END CAP TO END CAP LENGTH
 _____ BOX WIDTH
 _____ BOX LENGTH

G04BD-0711

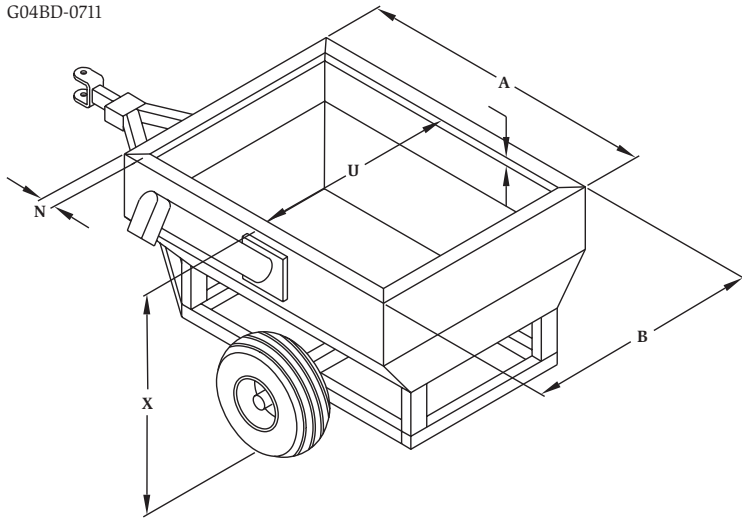


FIGURE 1

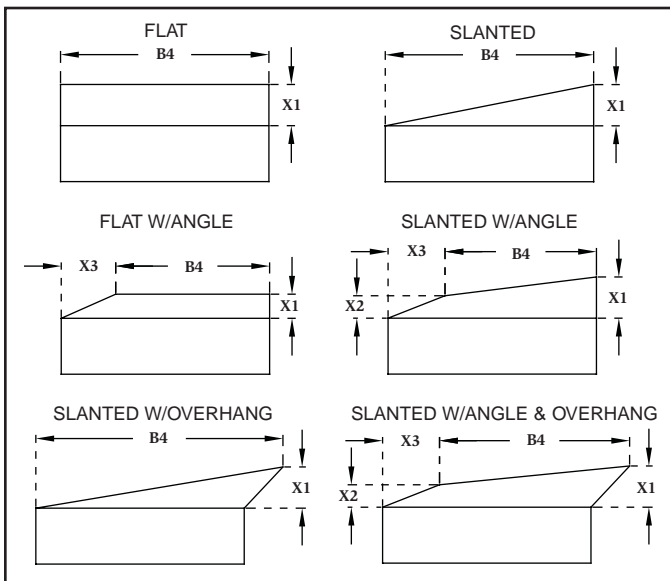


FIGURE 2

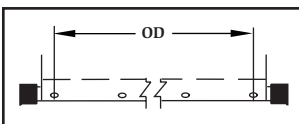
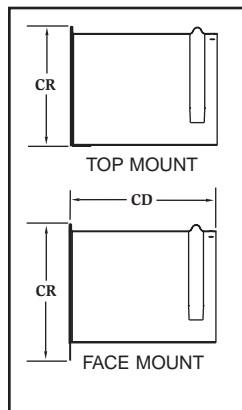


FIGURE 3



fax 605.665.0501

Salesperson _____