

BOX DETAIL SHEET FOR CABLE-LOK™ FOR FARM BODIES AND TENDERS

CONTACT INFORMATION

NAME _____
 ADDRESS _____
 CITY _____ STATE _____ ZIP _____
 PHONE _____ FAX _____
 BOX/TRAILER MAKE _____
 MODEL _____ YEAR _____

ALL TARPS ARE CUSTOM-MADE TO ORDER AND ARE NON-RETURNABLE.
 ACCURATE PHYSICAL MEASUREMENTS ARE ESSENTIAL FOR PROPER TARP FIT.
 PROVIDE ALL REQUESTED INFORMATION OR YOUR ORDER MAY BE DELAYED.
DO NOT USE UNIVERSAL BOX SIZES. **ALWAYS** USE ACTUAL MEASUREMENTS.
 BOX SIZE AND FINISHED TARP SIZE ARE **NOT** THE SAME.

BOX DIMENSIONS

A _____ UPPER BOX LENGTH
 B _____ UPPER BOX WIDTH
 N _____ TOP RAIL WIDTH
 U _____ INSIDE BOX WIDTH
 X _____ OUTSIDE BOX HEIGHT FROM GROUND

LIP IN LIP OUT

IF SPREADER:

GRANULAR BIN: INSIDE BOX OUTSIDE BOX
 SPREADER STYLE: SELF-PROPELLED AIR SYSTEM
 SPINNER PULL-TYPE SPINNER

IF TENDER:

MOUNTING STYLE: TRUCK TENDER
 SPREADER STYLE: REAR SIDE-FOLD REAR
 REAR OVER BOX

TARP COLOR(S) _____

REPLACEMENT TARPS

TYPE OF TARP BEING REPLACED | See Figure 1 for Outer Hole Distance

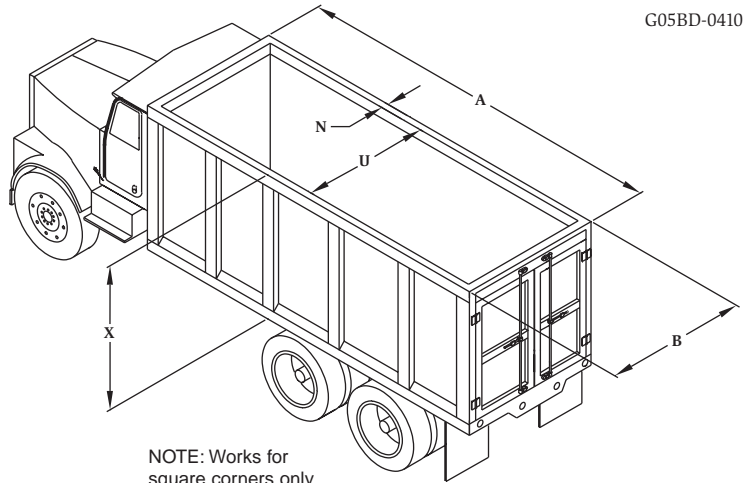
CABLE-LOK® W/CHANNEL
 OTHER W/CHANNEL OTHER BRAND _____
 OTHER W/RIVETS No. Rivets _____ Outer Hole Distance _____

_____ FINISHED SEWN TARP LENGTH
 _____ FINISHED SEWN TARP WIDTH

TYPE OF CAP MEASURED | See Figure 2

STAINLESS FACE MOUNT STAINLESS TOP MOUNT
 GALVANIZED FACE MOUNT GALVANIZED TOP MOUNT

CR _____ END CAP RISE
 CD _____ END CAP DEPTH Front _____ Rear _____
 _____ OUTSIDE END CAP TO END CAP LENGTH
 _____ BOX WIDTH
 _____ BOX LENGTH



G05BD-0410

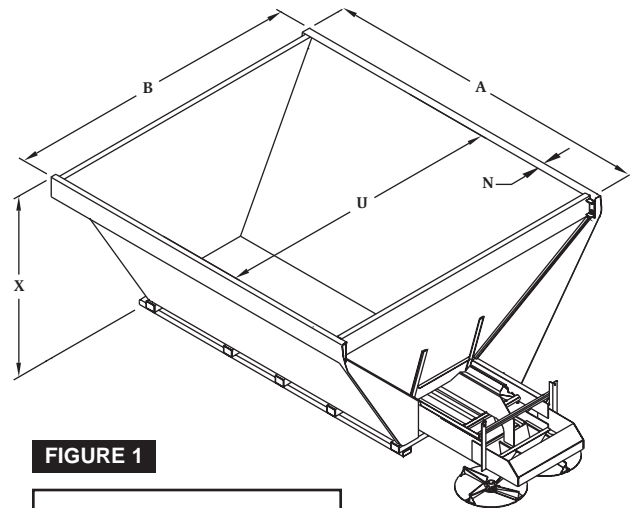


FIGURE 1

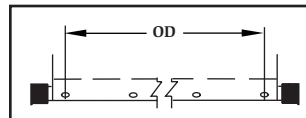


FIGURE 2

