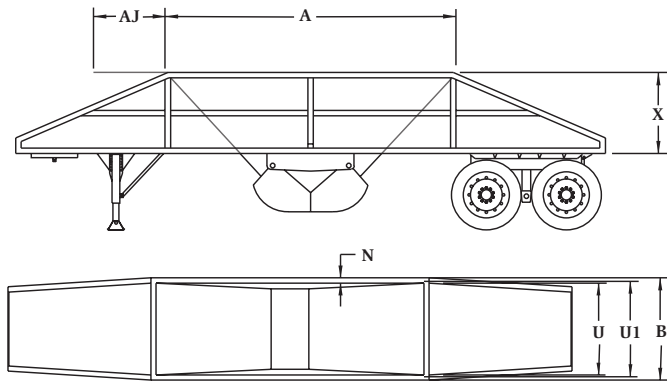


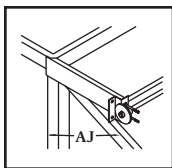
# BOX DETAIL SHEET FOR BELLY DUMPS AND OPEN-TOP VANS

PROVIDE ALL REQUESTED INFORMATION OR YOUR ORDER MAY BE DELAYED.  
**DO NOT** USE UNIVERSAL BOX SIZES. **ALWAYS** USE ACTUAL MEASUREMENTS.

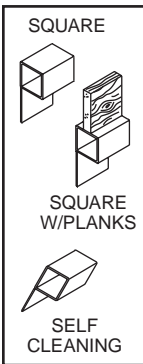
G06BD-0410



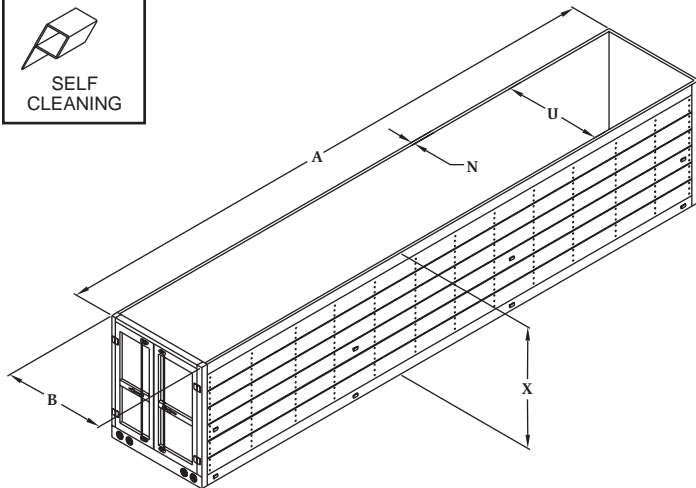
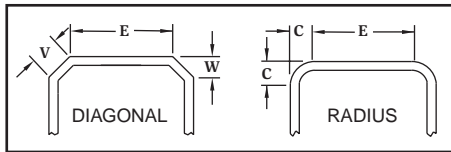
**FIGURE 2**



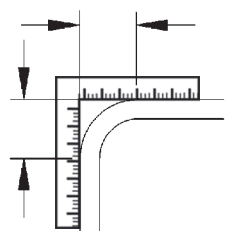
**FIGURE 1**



**FIGURE 3**



To measure radius corners correctly, place a carpenter's square on the front radius of the trailer. Measure at the point where the radius starts to arch around the front of the trailer.



## CONTACT INFORMATION

NAME \_\_\_\_\_  
 ADDRESS \_\_\_\_\_  
 CITY \_\_\_\_\_ STATE \_\_\_\_\_ ZIP \_\_\_\_\_  
 PHONE \_\_\_\_\_ FAX \_\_\_\_\_  
 BOX/TRAILER MAKE \_\_\_\_\_

## BOX DIMENSIONS FOR BELLY DUMPS

A \_\_\_\_\_ UPPER BOX LENGTH  
 B \_\_\_\_\_ UPPER BOX WIDTH  
 Front \_\_\_\_\_ Center \_\_\_\_\_ Rear \_\_\_\_\_  
 N \_\_\_\_\_ TOP RAIL WIDTH  
 U \_\_\_\_\_ INSIDE BOX WIDTH  
 U1 \_\_\_\_\_ INSIDE PLANK-TO-PLANK WIDTH  
 X \_\_\_\_\_ BOX HEIGHT

TARP RAIL STYLE | See Figure 1

SQUARE  SELF CLEANING  SQUARE W/PLANKS\*

\*Are planks flush with outside of top rail? Y / N (Circle one.)

LANDING EXTENSION LENGTH | See Figure 2 – for Shur-Trak™ only

AJ \_\_\_\_\_

TARP WEIGHT

18-OZ.  22-OZ.

TARP COLOR(S) \_\_\_\_\_

## BOX DIMENSIONS FOR OPEN-TOP VANS

A \_\_\_\_\_ UPPER BOX LENGTH  
 B \_\_\_\_\_ UPPER BOX WIDTH  
 Front \_\_\_\_\_ Center \_\_\_\_\_ Rear \_\_\_\_\_  
 N \_\_\_\_\_ TOP RAIL WIDTH  
 U \_\_\_\_\_ INSIDE BOX WIDTH  
 X \_\_\_\_\_ BOX HEIGHT

CORNER CONFIGURATION | See Figure 3

SQUARE  DIAGONAL  RADIUS

C \_\_\_\_\_ OUTSIDE CORNER RADIUS | For all radius fronts

E \_\_\_\_\_ FLAT ACROSS FRONT

V \_\_\_\_\_ FLAT ACROSS DIAGONAL

W \_\_\_\_\_ DIAGONAL DEPTH

TARP WEIGHT

18-OZ.  22-OZ.

TARP COLOR(S) \_\_\_\_\_