



WARRANTY

To ensure full warranty coverage, please follow wiring specifications shown on wiring diagram inside.

Shur-Co.[®] warrants the TarpStretcher^{®*} P/N 1703135 motor against manufacturing defects for a period of five (5) years. Warranty begins three months from time of factory shipment. The TarpStretcher[®] motor can only be used in conjunction with the 3500 Series Electric system.

Use of the TarpStretcher[®] motor in applications other than the 3500 Series Electric voids the product warranty, unless the use is specifically approved in writing by Shur-Co.[®] engineering management. The warranty period in approved applications will be one (1) year, beginning from time of factory shipment.

Repairs can be made through Shur-Co.[®] To do so, first obtain a "Return Material Authorization" number by calling Shur-Co. Customer Service at 1-866-748-7435 and sending the defective unit with transportation charges prepaid to:

Shur-Co.[®]
RMA# _____
P.O. Box 713
2309 Shur-Lok St.
Yankton, SD 57078-0713

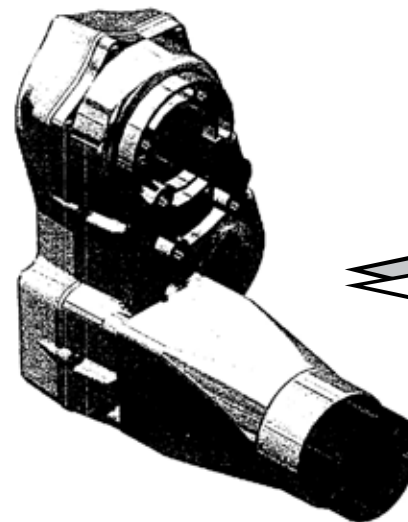
If the unit is found in the reasonable judgment of Shur-Co.[®] to be defective in material or workmanship, repair or replacement will be made by Shur-Co.[®] without charge for parts or labor. Repair or replacement will be at the discretion of Shur-Co.[®], with replacements being made using current models or parts performing in the equivalent function. Labor charges other than those incurred at the Shur-Co.[®] factory are not covered under this warranty. All expenses associated with delivering defective items to the Shur-Co.[®] factory will be paid for by the owner.

If the product returned is found to be non-warrantable, the customer will be contacted to authorize repair work or return of the product. Damaged non-warranted products will only be returned to the customer if this is requested before any work is begun. The customer is responsible for the cost of repair and return shipping non-warrantable products. Payment authorization must be received by Shur-Co.[®] before any non-warrantable equipment is returned.

This limited warranty excludes all other warranties, express or implied. Except as specifically outlined above, Shur-Co.[®] shall not be liable for warranty in any amount exceeding the purchase price of the goods. Shur-Co.[®] shall not be liable for any special incidental or consequential damages.

This warranty gives you specific legal rights. You may also have other rights, which may vary from state to state.

**TarpStretcher[®] is a Registered Trademark of Roll-Rite[®]*



IMPORTANT!

12-Volt Electrical Requirements

A TarpStretcher^{®*} must be used in conjunction with the following Shur-Co.[®] parts:

- Shur-Co.[®] Supplied Circuit Breaker
- Momentary Rocker Switch / Shur-Co.[®] SMARTransmitter™
- 6 Ga. Dual Conductor Wire
- 14 Ga. 3 Conductor Wire

Use of unauthorized parts or improper installation may lead to premature component failure and may void the warranty.

See Electrical Diagram for installation details or call Shur-Co.[®] Customer Service at 1-866-748-7435.

**TarpStretche[®] is a Registered Trademark of Roll-Rite[®]*

Shur-Co.[®]

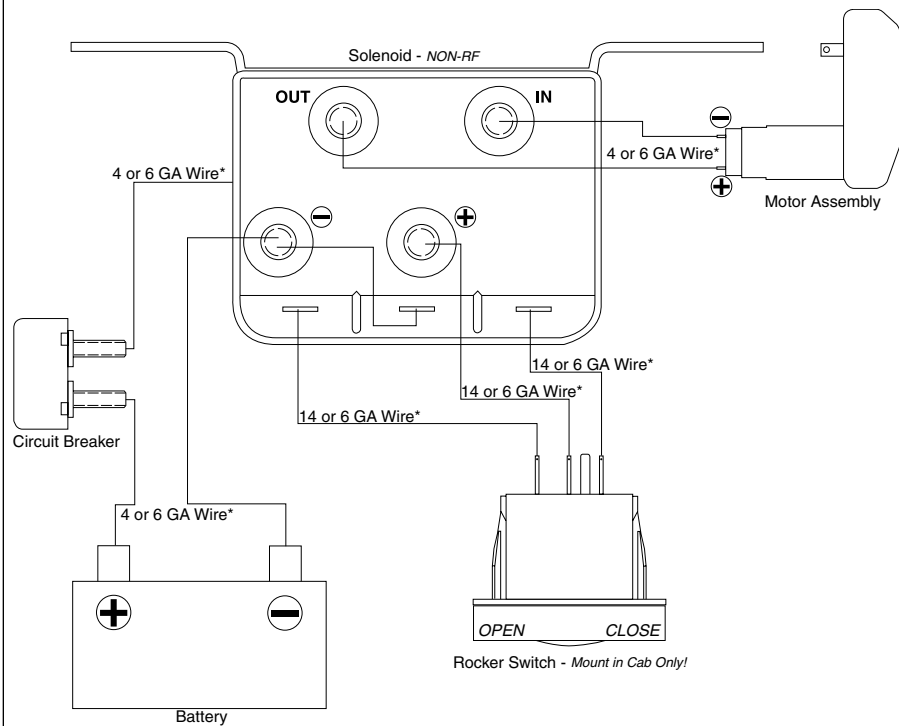
P.O. Box 713, 2309 Shur-Lok Street, Yankton, South Dakota 57078-0713
Phone: 1-866-748-7435 Fax: 1-605-665-0501 Web Site: www.shurco.com

1119116 Rev. A



3500 Series Electric Roll Tarp Option

Wiring for IN-CAB ROCKER SWITCH

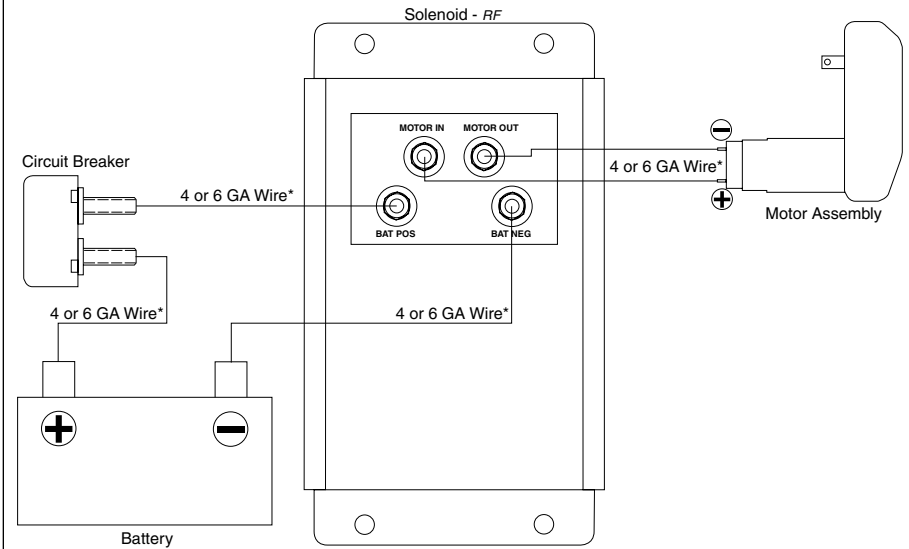


* Wire Size Guidelines: 6 Gauge – up to 85', 4 Gauge – up to 135'.
In any application, larger wire = better motor performance.

Shur-Co.®

P.O. Box 713, 2309 Shur-Lok Street, Yankton, South Dakota 57078-0713
Phone: 1-866-748-7435 Fax: 1-605-665-0501 Web Site: www.shurco.com

Wiring for the SHUR-CO.® WIRELESS PACKAGE



* Wire Size Guidelines: 6 Gauge – up to 85', 4 Gauge – up to 135'.
In any application, larger wire = better motor performance.

MOTOR MOUNTING ASSEMBLY

1. Use all six bolts when mounting your gear motor!
2. Torque the mounting bolts to 70 in.-lb. (5.8 ft.-lb.)

- DO NOT USE POWER TOOLS
- DO NOT OVERTIGHTEN
- DO NOT USE THREAD LOCKER

